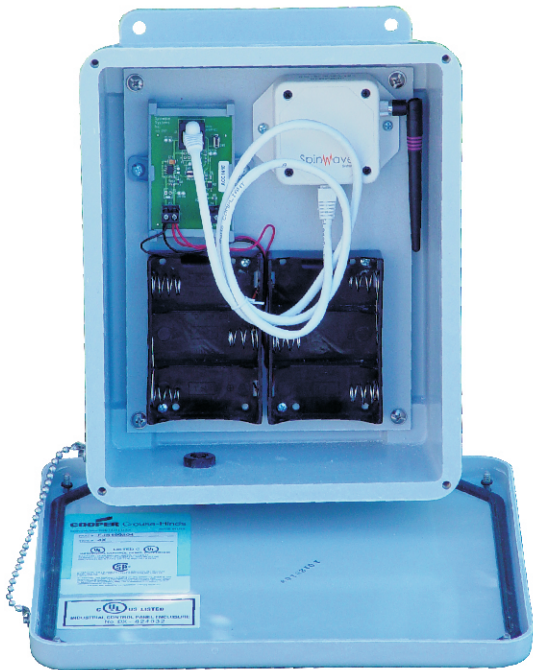


Product Data Sheet

SWS-DPC-N4xxx Wireless Pulse Counters



Spinwave Systems' Pulse Counters are used to wirelessly transmit electric/water/gas meter values (accumulated pulses and pulses per time) and make them available as BACnet, LON or Modbus variables using Spinwave's BMS Protocol Interface or as digital outputs (pulse replication) using a BMS I/O Interface.

The Pulse Counter consists of a high-power radio and a signal conditioning module, mounted inside a NEMA4X fiber glass enclosure. The radio is connected through a standard CAT5 cable to the signal conditioning module, providing data and power to the radio.

Pulse Counters can be battery or line-powered. A set of 6 D-Cell batteries will last for up to 8 years. Pulse counters are suited for both indoor and outdoor applications.

Up to 31 pulse counters can be wirelessly connected to a single BMS protocol gateway for remote metering applications. Up to 4 pulse counters are supported by the SWRF-IOR receiver/remote I/O interface.

The SWS-DPC-N4PSI (with internal 120VAC/9VDC power supply) also acts as a router/repeater.

Separate wireless Repeaters/Routers are available to cover large indoor or outdoor areas.

Real-World Ready

Ultra-high reliability means that the wireless sensor network (based on IEEE 802.15.4) outsmarts changing RF interferences with self-adapting frequency agility (patent pending).

Self-forming and self-healing wireless mesh network for robust operation.

Sophisticated power management results in long battery life. Battery and communication health is continuously monitored.

Flexibility Included

Wide range of mounting options - indoor/outdoor

Interfaces to virtually any automation system.

Pulse Counter can be battery-operated or line powered.

Device parameters and channel mapping can be easily changed wirelessly.

Order Information

SWS-DPC-N4BAT: Wireless pulse counter in NEMA4X outdoor enclosure with battery holders

SWS-DPC-N4PSI: Wireless pulse counter in NEMA4X outdoor enclosure with 120VAC/9VDC power supply

SWRF: Wireless mesh repeater/router

SWRF-IOR: High powered wireless receiver module and remote direct I/O interface

SWRF-LON: High powered wireless receiver module and LONWORKS interface

SWRF-BACNET-IP: High powered wireless receiver module and BACnet IP interface

SWRF-BACNET-MSTP: High powered wireless receiver module and BACnet MS/TP interface

SWRF-MODBUS-TCP: High powered wireless receiver module and Modbus TCP interface

SWRF-MODBUS-RTU: High powered wireless receiver module and Modbus RTU interface

Specifications

Enclosure

- SWS-DPC-N4BAT: 8"x10"x4" fiber glass
- SWS-DPC-N4PSI: 6"x8"x4" fiber glass

Installation

- Surface mount or pole mount

Operating Conditions

- 40°F to 185°F (-40°C to 85°C)
- 5% to 95% R.H. non-condensing

Storage Conditions

- 40°F to 185°F (-40°C to 85°C)
- 5% to 95% R.H. non-condensing

Radio Characteristics

- 2.4GHz, IEEE 802.15.4
- Receiver Sensitivity
-95dBm
- Receiver Adjacent Channel Rejection
+/-5MHz, 46/39 dB
- Receiver Alternate Channel Rejection
+/-10MHz, 58/55 dB
- Open field Range
up to 3500 ft. (1 km)
- Transmission Interval
min. 10 seconds, user configurable

Power

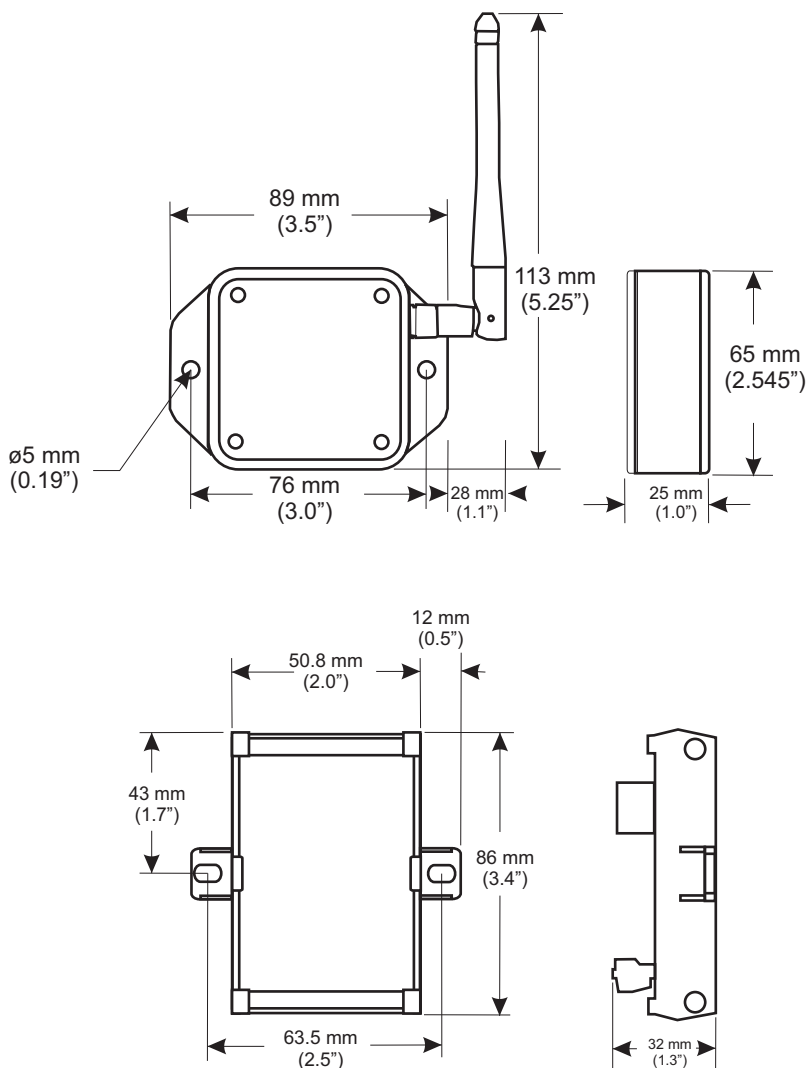
- 3.5VDC to 6VDC, 200mA burst, 250µA average
- Radio will automatically assume repeater/router functionality when powered between 5.5VDC and 9.0VDC

Interfaces

- 1 pulse input for dry contact, 90Hz max
- DC power connector

Agency Approvals

- FCC part 15, Class B
- CE



0510A

Spinwave Systems, Inc.
235 Littleton Road
Westford, MA 01886
978-392-9000
www.spinwavesystems.com

© 2010 Spinwave Systems, Inc. All rights reserved.

Spinwave is a trademark of Spinwave Systems, Inc.

All other product and company names are trademarks or registered trademarks of their respective owners.